

<b>Model:</b> PRIPORT PINKGOLD	<b>Date:</b> 30-Oct-02	<b>No:</b> M-C238-002
<b>Modified Article:</b> New model PG B4 information (China only)	<b>Prepared by:</b>	
<b>From:</b> Priport Service Planning Section	H. Onodera	
<b>Classification:</b>	<input type="checkbox"/> Parts catalog correction <input type="checkbox"/> Vendor change <input type="checkbox"/> To meet standards <input type="checkbox"/> To facilitate assembly <input type="checkbox"/> To improve reliability      (      ) <input type="checkbox"/> Part standardization <input checked="" type="checkbox"/> Other (New machine information)	
<b>Model Name:</b>		
PINKGOLD: Ricoh JP3000/JP3800, Gestetner 5430/5428C, RexRotary 1330, nashuatec CP430, Savin 3260DNP, Standard SD370, Lanier LDD030 PG B4 (China only): Ricoh JP2800, Gestetner 5425C		

This bulletin lists the components unique to the PG B4 (C247), a summary for which appears on the second to last page. Please add these lists and illustrations to your PINKGOLD (C238) Parts Catalog.

**Note:** Please also see RTB #RC238004 for revisions made to the Service Manual due to minor changes applied to the PG B4.

The major difference from the PINKGOLD is the size of the printable area:

PINKGOLD: 290 x 410 mm (A3)

PG B4: 251 x 355 mm (B4)

Also, the PG B4 was released in October 2002 to the China field only, the model names for which are as follows:

Ricoh model: JP2800 (C247-76)

Gestetner model: 5425C (C247-78)

**Model:** PRIPORT PINKGOLD

**Date:** 30-Oct-02

**No:** M-C238-002

## 1. EXTERIOR

Sec	Index	Parts No.	Description	Q'ty	Page
1	6	C2471321	Emblem decal - GES:CHN:B4 (5425C)	1	7
1	6	C2471325	Emblem decal - RIC:CHN:B4 (JP2800)	1	7

## 2. OPERATION PANEL

Sec	Index	Parts No.	Description	Q'ty	Page
2	*	C2471426	Operation panel - CHN:B4	1	9
2	4	C2471502	Middle sheet - CHN:B4	1	9

## 9. PLOTTER UNIT 1

Sec	Index	Parts No.	Description	Q'ty	Page
9	17	C2472104	Platen roller - B4	1	23

## 10. PLOTTER UNIT 2

Sec	Index	Parts No.	Description	Q'ty	Page
10	11	C2472151	Thermal head - B4	1	25
10	14	C2472026	Thermal head base - B4	1	25
10	17	C2472093	Thermal head guide - B4	1	25
10	32	C2475246	Thermal head DC harness - B4	1	25

## 11. PRESS ROLLER SECTION

Sec	Index	Parts No.	Description	Q'ty	Page
11	14	C2473064	Press roller - B4	1	27

## 12. DRUM UNIT 1

Sec	Index	Parts No.	Description	Q'ty	Page
12	33	C2472538	Connector bracket - B4	1	29

**Model:** PRIPORT PINKGOLD

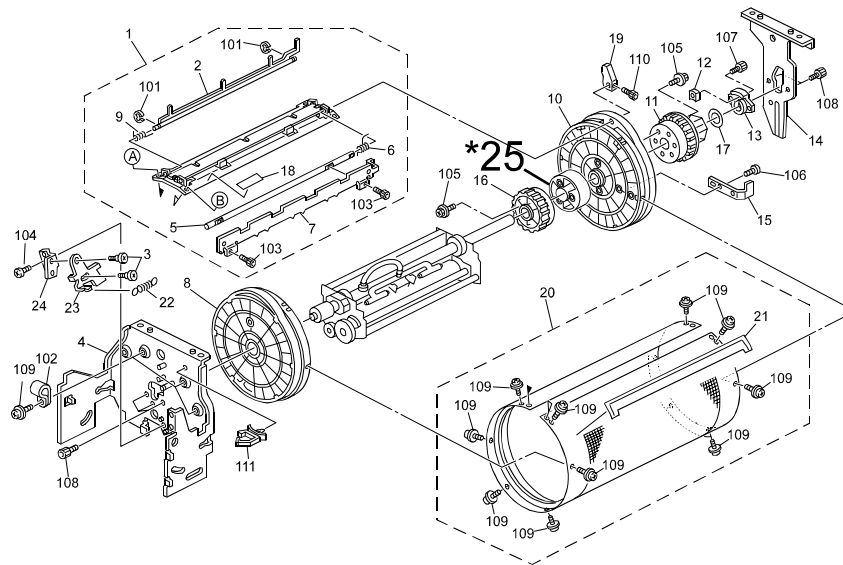
**Date:** 30-Oct-02

**No:** M-C238-002

## 13. DRUM UNIT 2

Sec	Index	Parts No.	Description	Q'ty	Page
13	1	C2472381	Cloth screen - B4	1	31
13	3	-	PG B4 does not use.	0	31
13	4	C2472390	Drum sensor sheet - B4	1	31
13	5	C2472383	Sandpaper - B4	1	31
13	6	C2472388	Screen holder 1	1	31
13	17	C2472389	Screen holder 2	1	31
13	18	-	PG B4 does not use.	0	31

## 14. DRUM UNIT 3

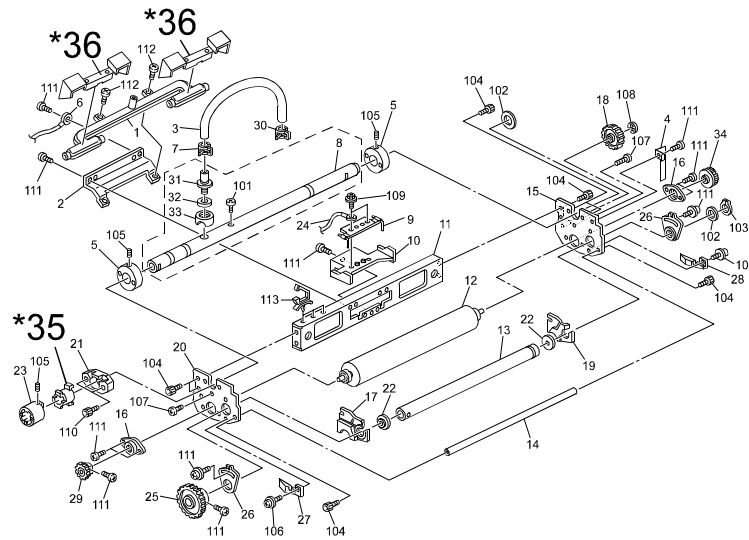


C238A083.WMF

Sec	Index	Parts No.	Description	Q'ty	Page
14	8	C2472360	Front drum flange - B4	1	33
14	10	C2472362	Rear drum flange - B4	1	33
14	20	C2472580	Metal screen - B4	1	33
14	21	C2472582	Metal screen sheet - B4	1	33
14	*25	C2472367	Rear drum spacer - B4	1	33

\*: New index

## 15. DRUM UNIT 4



C238A084.WMF

Sec	Index	Parts No.	Description	Q'ty	Page
15	1	C2292535	Ink distributor	1	35
15	8	C2472475	Drum shaft ASS'Y - B4	1	35
15	9	C2472471	Ink sensor - B4	1	35
15	10	C2472470	Ink sensor bracket - B4	1	35
15	11	C2472463	Drum main stay - B4	1	35
15	12	C2472450	Ink roller - B4	1	35
15	13	C2472454	Doctor roller - B4	1	35
15	14	C2472465	Drum stay shaft - B4	1	35
15	*35	C2472398	Front drum spacer - B4	1	35
15	*36	C2472468	Ink pipe cover	2	35

\*: New index

<b>Model:</b> PRIPORT PINKGOLD	<b>Date:</b> 30-Oct-02	<b>No:</b> M-C238-002
--------------------------------	------------------------	-----------------------

**18. MASTER EJECT UNIT**

Sec	Index	Parts No.	Description	Q'ty	Page
18	*	C2473400	Master eject unit - B4	1	41
18	10	C2473462	Master eject stay - B4	1	41
18	18	C2473468	Upper eject roller - B4	1	41
18	19	C2473466	Lower eject roller - B4	1	41
18	20	C2473457	Master eject base - B4	1	41
18	23	C2474352	Air knife duct - B4	1	41
18	24	C2315880	Air knife fan	2 to1	41
18	26	C2473460	Air knife bracket - B4	1	41

**21. ELECTRICAL SECTION 1**



Sec	Index	Parts No.	Description	Q'ty	Page
21	1	C2475100	MPU board - B4	1	47
21	22	C2475127	Program I/O	1	47
21	24	C2475117	Program MPU	1	47

**22. ELECTRICAL SECTION 2**

Sec	Index	Parts No.	Description	Q'ty	Page
22	10	C2472611	Connector bracket - B4	1	49

**25. DECALS AND DOCUMENTS**

Sec	Index	Parts No.	Description	Q'ty	Page
25	4	C2471321	Emblem decal - GES:CHN:B4 (5425C)	1	63
25	4	C2471325	Emblem decal - RIC:CHN:B4 (JP2800)	1	63

**PM PARTS INDEX**

Section name	Parts No.	Description	Q'ty	Page-Index
11. Press roller section	C2473064	Pressure roller – B4	1	27-14
13. Drum unit 2	C2472381	Cloth screen – B4	1	31-1

**Model:** PRIPORT PINKGOLD**Date:** 30-Oct-02**No:** M-C238-002**CUT IN SERIAL NUMBERS (START SERIAL NUMBERS)**

<b>Model Name</b>	<b>V/Hz</b>	<b>Destination</b>	<b>Code</b>	<b>Serial Number</b>
Ricoh JP2800	230/50	China	C247-76	F2421070001
Gestetner 5425C	230/50	China	C247-78	F2421070001

**Model:** PRIPORT PINKGOLD

**Date:** 30-Oct-02

**No:** M-C238-002

## SUMMARY OF C247/C238 COMPONENT DIFFERENCES

PC NO. Page-Index	Item	Remarks	Note
<b>Front side:</b>			
7-6	Emblem decal	Shape changed to conform to B4 paper size.	
9-4 9-*	Operation panel	"A3" has been changed to "B4" in displays for the preset enlargement/reduction ratios. Panel assembly itself also changed.	
	Plotter:		
23-17	Platen roller	Shape changed to conform to B4 paper size.	
25-11	Thermal head	Shape changed to conform to B4 paper size.	
25-14	Thermal head base	Position of master end sensor changed for new B4 master roll.	
25-17	Thermal head cover	Shape changed to conform to B4 paper size.	
25-32	Thermal head DC harness	Changed to accommodate new thermal head.	
<b>Pressure:</b>			
27-14	Pressure roller	Shape changed to conform to B4 paper size.	
<b>Drum:</b>			
29-33	Connector bracket	Changed because the PINKGOLD's A3/A4 drums cannot be used on this model.	
31-1 31-3 31-4 31-5	Cloth screen Small sandpaper Sensor sheet Big sandpaper	Shape changed to conform to B4 paper size.	
31-6, -17	Screen holders	Shape changed to conform to B4 paper size.	
31-18	Screen Mylar	(Do not use).	
33-8, -10	Drum flanges	Shape changed to conform to B4 size.	
33-20	Metal screen	(same as above)	
33-21	Metal screen sheet	(same as above)	
33-25*	Rear drum spacer	(same as above)	
35-1	Ink distributor	(same as above)	
35-8	Drum shaft	(same as above)	
35-9	Ink sensor	(same as above)	
35-10	Ink sensor bracket	(same as above)	
35-11	Drum main stay	(same as above)	
35-12	Ink roller	(same as above)	
35-13	Doctor roller	(same as above)	
35-14	Drum stay shaft	(same as above)	
35-35*	Front drum spacer	(same as above)	
35-36*	Ink pipe cover (x2)	Added to prevent ink from the ink distributor from sticking to the ink sensor.	

<b>Model:</b> PRIPORT PINKGOLD	<b>Date:</b> 30-Oct-02	<b>No:</b> M-C238-002
--------------------------------	------------------------	-----------------------

PC NO. Page-Index	Item	Remarks	Note
<b>Master eject unit:</b>			
41-*	Master eject unit	Shape changed to conform to B4 size.	
41-10	Master eject stay	(same as above)	
41-18	Upper eject roller	(same as above)	
41-19	Lower eject roller	(same as above)	
41-20	Master eject base	(same as above)	
41-23	Air knife duct	Changed due to deletion of a fan motor (2→1).	
41-24	Air knife fan	1 fan motor deleted (2→1).	
41-26	Air knife bracket	(same as above)	
<b>Electrical section:</b>			
47-1	MPU	Changed to accommodate new thermal head.	
47-22	Program I/O	Changed due to input/output signal timing changes.	
47-24	Program MPU	(same as above)	
49-10	Connector bracket	Changed because the PINKGOLD's A3/A4 drums cannot be used on this model.	